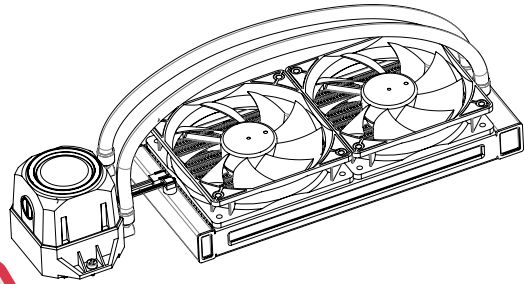



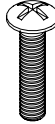
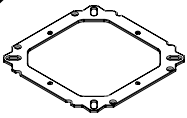

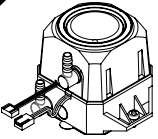
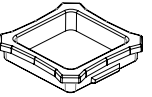
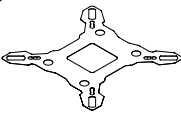
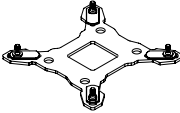


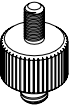
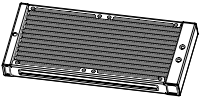
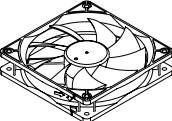



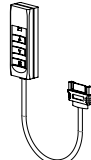


Turbo Right 240 Liquid CPU Cooler Installation Guide

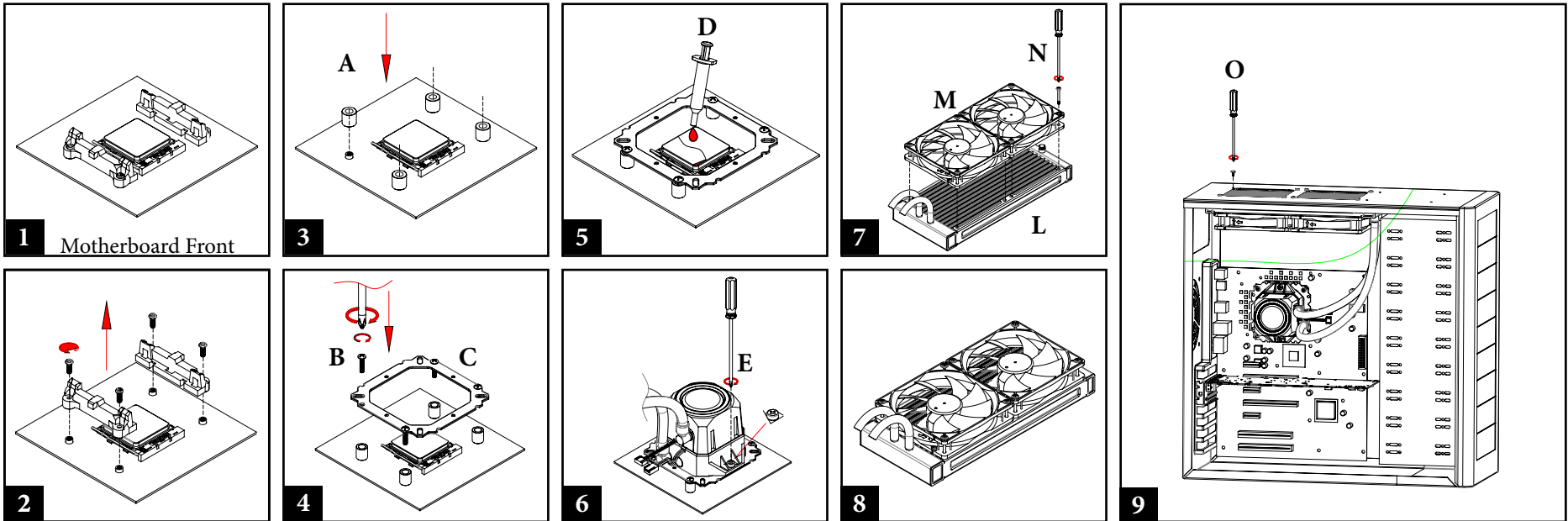


Please follow the Installation Guide before installing this product.
 Please do NOT modify or disassemble this product.
 Please keep this product AWAY from children.
 Please do NOT use this product for the non-PC environment.
 Please do NOT apply too much thermal paste will lower heat conductivity and cooling performance!
 To prevent electrical shocks, please turn off system power and unplug the power of the system before beginning the installation.

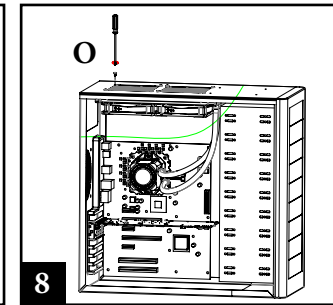
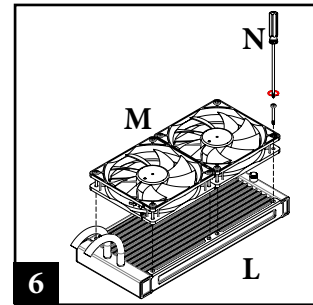
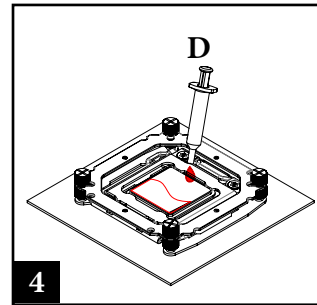
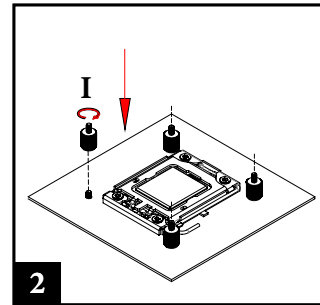
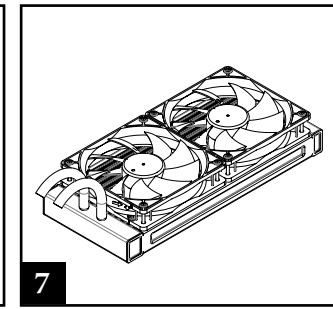
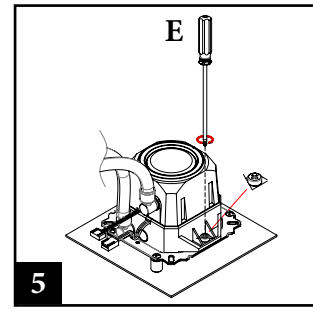
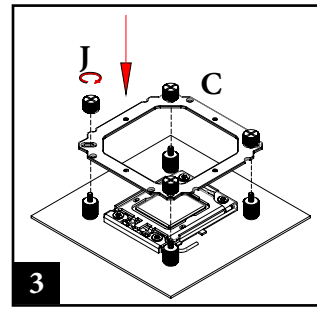
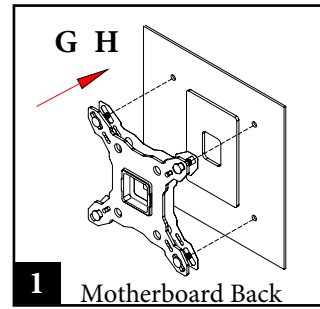
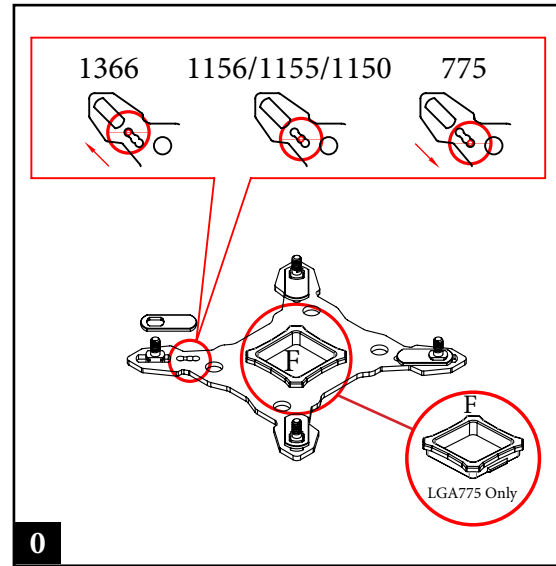
PARTS LIST

A  Nylon Tube x5	B  6#32 L17 Screw x5	C  Anchoring Mount x1	D  TF4 x1	E  Turbo Right Pump x1	F  775 Back Plate Cap x1
G  Mylar x1	H  Metal Back Plate x1	I  LGA 115x Screw Pillars x4	J  Screw Nut x4	K  LGA2011 Double Head Screw x4	L  240mm Radiator x1
M  TY-121BP Fan x2	N  #6x32Tx30 Screw x8	O  6#32 Screw x8	P  TR Coolant x1	Q  RGB Control Box x1	

AMD AM4 Platform



Intel LGA 775/115x/1366 Platform



Intel LGA 2011/2011-3/2066 Platform

